

## Plummer Blocks and Accessories - SNN Series

NSK modular SNN housing range offers various technical options to match the needs of the most demanding applications. The components are easy to fit, remove and maintain. Equipped with NSK high performance bearings, SNN split housings will support you in achieving your cost reduction plans.

### Product Features

- Equipped with 2 Lubrication holes and 1 Draining hole
- Solid corners in the base for locating pins
- Square shape and centre marks
- High grade casting - allows 5 different sealing arrangements:- Double lips seals- V-ring seals- Felt seals- Labyrinth seals- Taconite seals

### Benefits

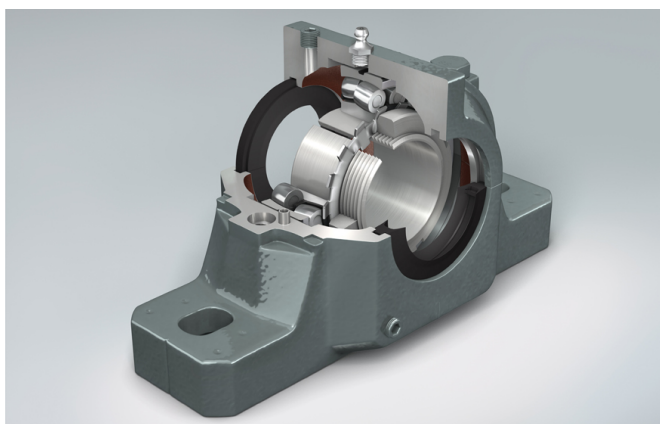
- Easy assembly, easy alignment
- High rigidity (minimises deformation of the bearing seat)
- Comprehensive range of sealing & arrangements to match all needs
- Good heat transfer
- Same housing can be used with both double row self-aligning ball bearings or double row spherical roller bearings
- Low maintenance costs

### Condition Description

- Contamination
- Fitting
- High Load
- Lubrication
- Misalignment

### Industries

- Cement
- Fans and Blowers
- Power Transmission
- Steel and Metals



SNN 511-609

#### Description

SNN	Housing Code
511-609	Size